

SUBMITTAL/TECHNICAL DATA SHEET



DESCRIPTION

Exterior Access Door provides efficient access from the exterior of your building without compromising security or weather resistance.

FEATURES

- Building Key Compatible
- Insulated for Temperature Control
- Tested for Air and Water Penetration

SPECIFICATIONS

MODEL: BXT/BXP

DOOR: 24 gauge Steel

FRAME: .080 inch 6063-T5 Extruded Aluminum

SIZE:
Min: 12 inches by 12 inches
Max: 48 inches by 60 inches

INSTALLATION: Wall

FLANGE: 1 inch Exposed, or Stucco/Plaster Bead

HINGE: Stainless Steel Continuous Piano

FINISH: Mill

WARRANTY: 1 year

OPTIONS: Flanges, Latches, and Materials

For a complete list of options visit www.AccessDoorsAndPanels.com



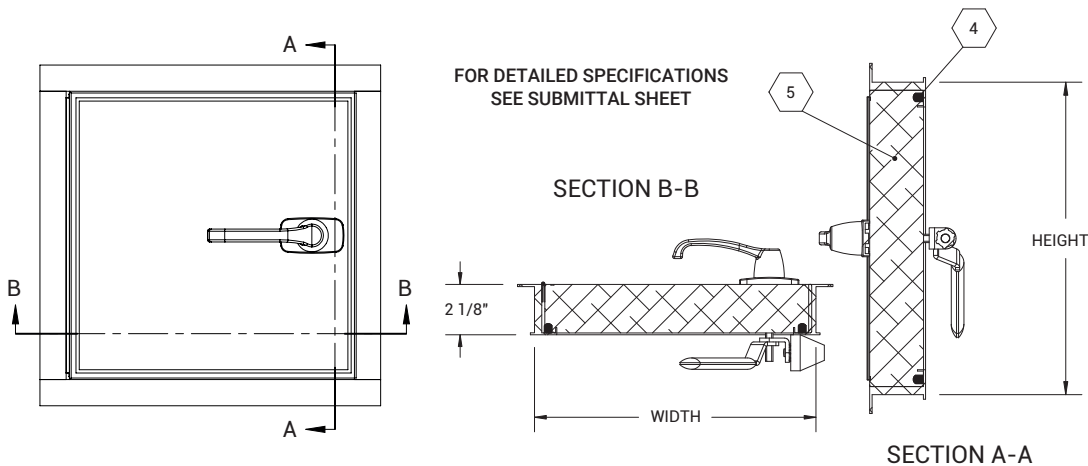
DIMENSIONS AND APPEARANCE

>> CLICK TO VIEW ADDITIONAL DETAILS AND PRICING <<

ORDER GUIDE:

BASE	FLANGE	LATCH	WIDTH	X	LENGTH	OPTIONS
BX						
	T 1 inch Flange P Plaster Bead	A Non-Locking Handle C Screwdriver Cam Latch L Locking Handle M Mortise Lock Prep (1-1/8") P Padlock Hasp	STANDARD SIZES (W X L)			A ALUMINUM DOOR C DRIP CAP P PADLOCK HASP S STAINLESS STEEL, TYPE 304
			12" X 12"	24" X 24"		
			16" X 16"	24" X 30"		
			18" X 18"	24" X 36"		
			20" X 30"	36" X 36"		

Rough opening is door size. Additional sizes available, call for more information.



PROJECT DATA

Custom Sizes Available - Fast!

PROJECT NAME :	QTY	W	H	OPTIONS
ARCHITECT :				
DEALER :				
CONTRACTOR :				
LOCATION :	SPECIAL INSTRUCTIONS :			
DATE :				
TAGGING INSTRUCTIONS :	SUBMITTAL APPROVAL : (signature or stamp)			

Scan or Click



To view Pricing and Additional Product Info.

TELEPHONE:
1-888-457-1275
FAX:
1-888-626-2907



PO BOX 66738 #76520,
SAINT LOUIS, MO
63166-6738
USA

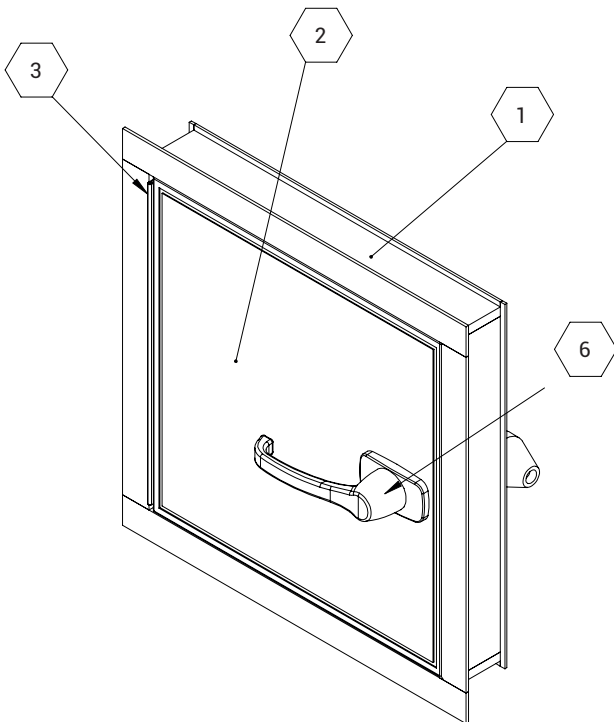
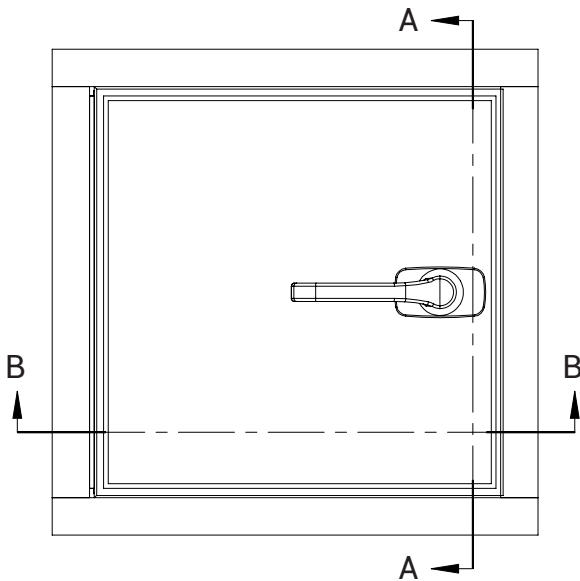


WEBSITE:
www.AccessDoorsAndPanels.com
E-MAIL:
info@AccessDoorsAndPanels.com



B X T A I H

EXTERIOR ACCESS DOOR



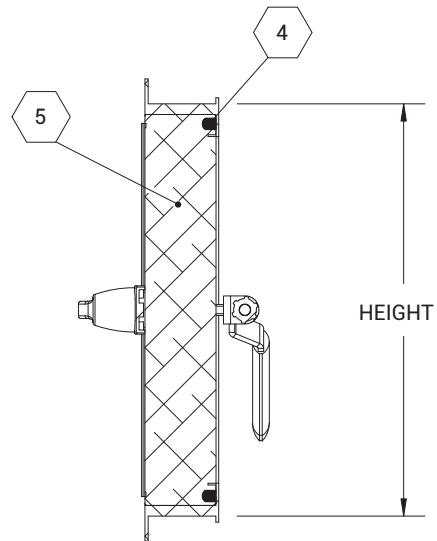
NOTES:

- ① FRAME: 6063-T5 Ext Aluminum, Mill Finish
- ② DOOR:
- ③ HINGE:
- ④ GASKET: EPDM Self-adhesive, Continuous Four Sides
- ⑤ INSULATION: Foam Insulation, 2-1/4lb Density, 12 R-Value
- ⑥ LATCH: Non-Locking Handle

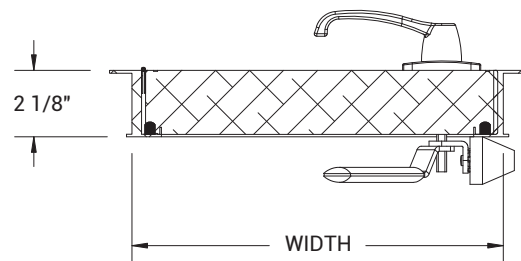
OPTIONS:

Drip Cap (C)

ROUGH OPENING: W" X H"
CLEAR OPENING: W - 3.75" X H - 2.25"
DEGREE OF OPENING: 180°
LATCHING POINTS: Varies



SECTION A-A



SECTION B-B



BXTA1H

EXTERIOR ACCESS DOOR

